

BETAETIGER-M-WT (Order no. 074080)

Actuator for safety switch NM.VZ

- ▶ Actuator made of stainless steel
- ▶ Two stainless-steel safety screws per actuator
- ▶ Actuator with rubber bush



Bent actuator

The angled actuator is used on sliding doors or hinged doors with door radii greater than 150 mm. Safety screws prevent unscrewing of the actuators.

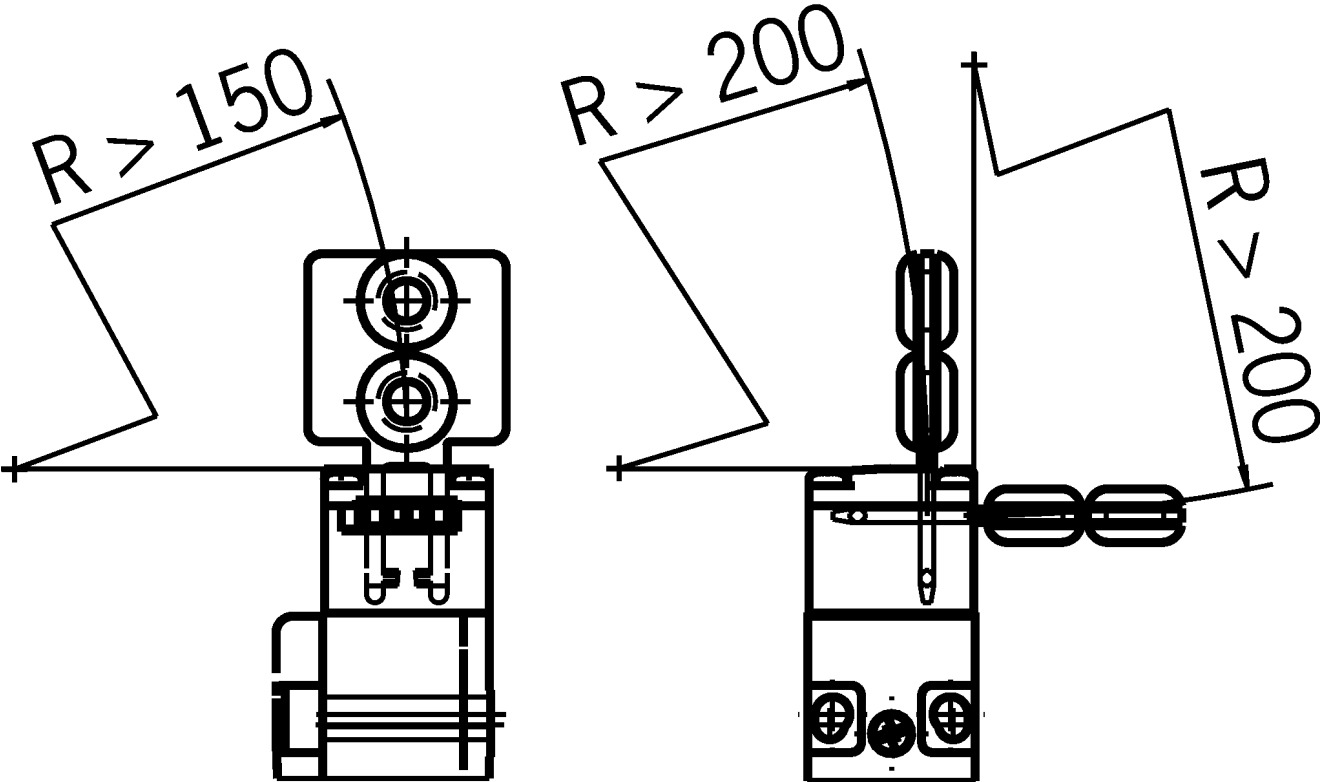
Actuator with rubber bush

For flexible mounting of the actuator.

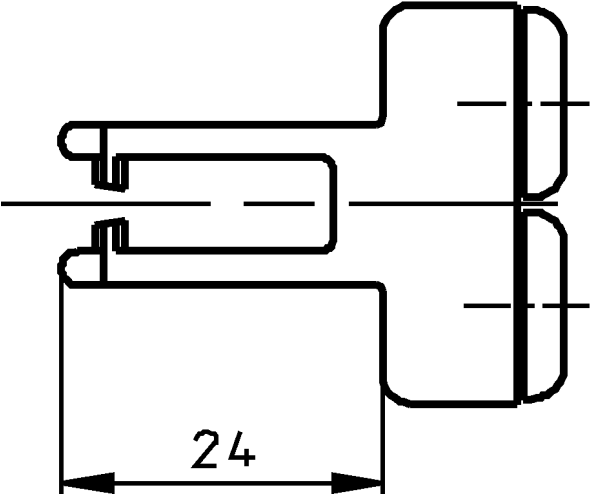
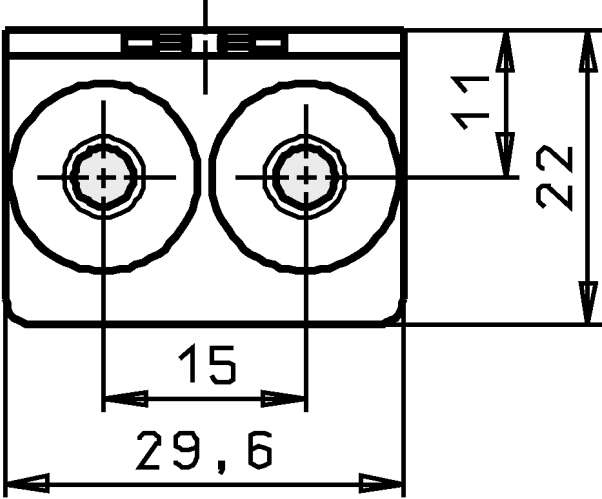
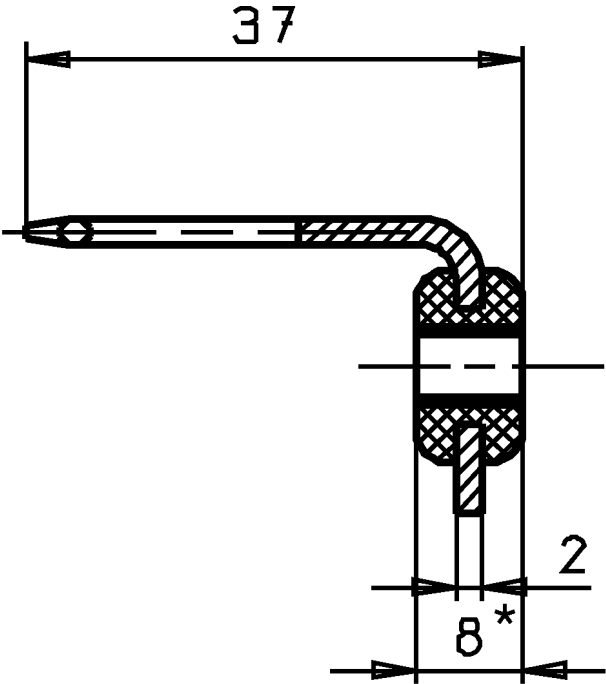
Screws made of stainless steel

The safety screws included can be inserted with a normal tool, but cannot be removed again.

Dimensional drawings



Dimensional drawings



Technical data

Mechanical values and environment

Overtravel	max. 4 mm
Door radius	min. 150 mm
Material	
	Rubber bush NBR
	Actuator Stainless steel
	Screw Stainless steel

Miscellaneous

Usability of insertion funnel	yes
-------------------------------	-----

Downloads

All documentation for this material can be found on our website:

<https://www.euchner.de/en-us/a/074080/?#downloads-tab>

Ordering data

Ordernumber	074080
Item designation	BETAETIGER-M-WT
Gross weight	0,022kg
Customs tariff number	85389099990
ECLASS	27-27-26-06 Actuator for safety-related position switch

Accessories

Mounting accessories

Safety screws M4 x 14

074063

M4X14-NIRO/V100

- ▶ Safety screws M4 x 14
- ▶ Screw head diameter: 10 mm
- ▶ Packaging unit 100 pieces

Safety screws M4 x 14, large head

086232

M4X14-NIRO/V100

- ▶ Safety screws M4 x 14 (large head)
- ▶ Packaging unit 100 pieces